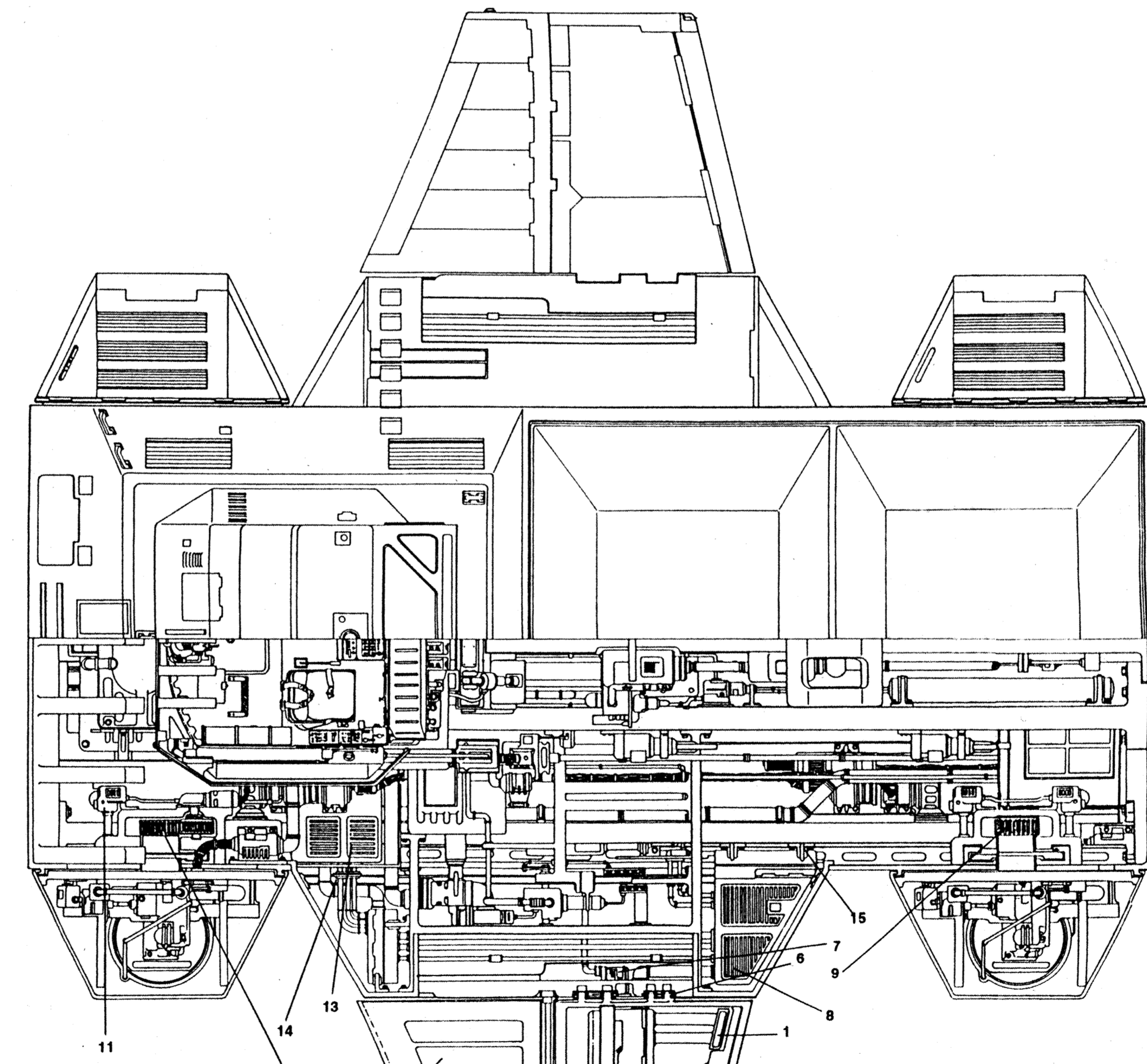
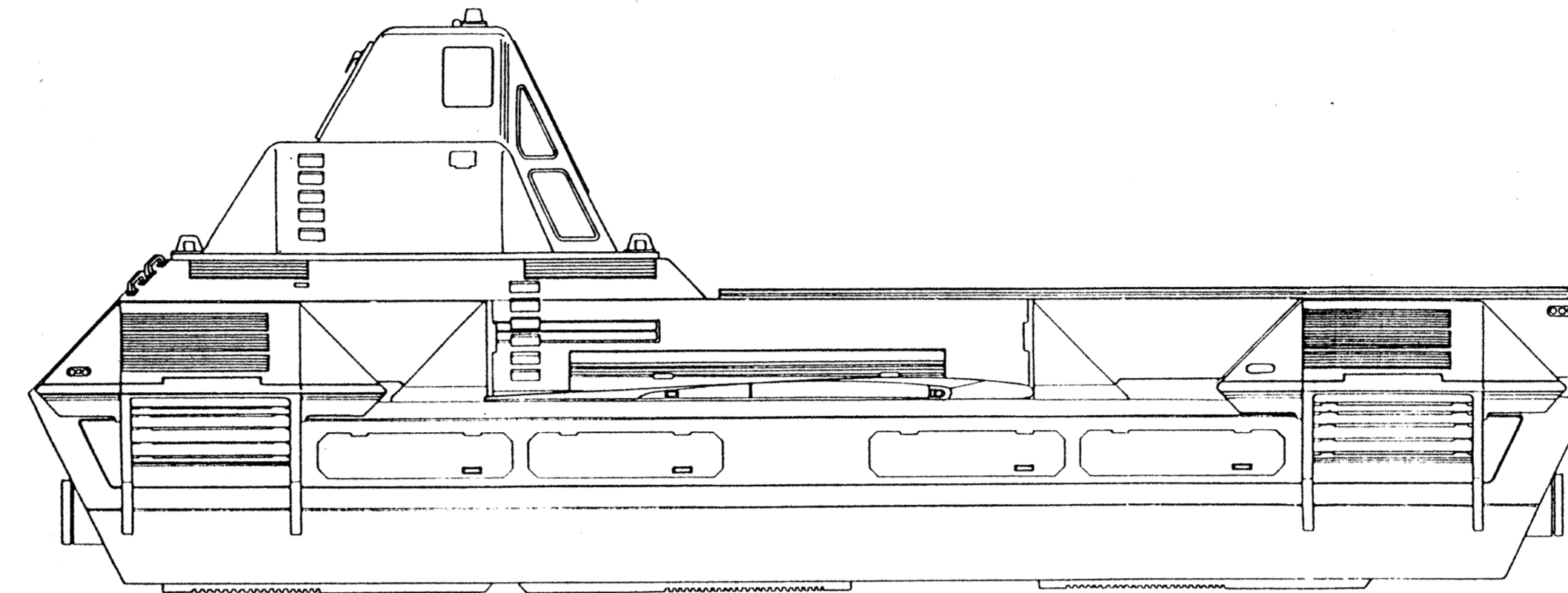




COLOSSAL MINING CORPORATION

VECTORED THRUST VEHICLE

**FIRST MANUFACTURED AT THE
LACUS SOLIS FOUNDRY WORKS
ON MARCH 15, 2062**



SIDE CUTAWAY VIEW

- | | |
|---|--|
| 1. Rotating beacon | 41. Liquid nitrogen reservoir |
| 2. Acquisition lights | 42. Hydraulic power take-off converter unit |
| 3. Beacon mounting | 43. Control interface unit housing |
| 4. Structure mainframe | 44. Payload hydraulic control telescoping linkage |
| 5. Cable run | 45. Payload hydraulics transfer pump housing |
| 6. Hatch locking mechanism and handle | 46. Cable run |
| 7. Cockpit heat exchange unit | 47. Cabin mount bearing assembly |
| 8. Entry grab-handle (handhold) | 48. Cabin mount thrust bearing assembly |
| 9. Cabin ambient pressure sensor | 49. Main structural framing |
| 10. Temperature sensor run | 50. Payload (ore carrier unit shown) |
| 11. Outer hull | 51. Payload locking connector |
| 12. Viewport weather seal | 52. Hydraulic over-pressure valve |
| 13. Main circuit breaker panel | 53. Hydraulic cylinder |
| 14. ATP override panel | 54. Hydraulic cylinder mount |
| 15. Hatch atmosphere seal assembly | 55. Payload locking piston |
| 16. Inspection panel (removed) | 56. Payload lifting arm contacts |
| 17. Module conduit routing | 57. Telescoping hydraulic piston |
| 18. Micro-processor housing | 58. Headlight assembly |
| 19. Instrument panel coaming | 59. Hydraulic cylinder mount |
| 20. Landing gear extend/retract lever | 60. Hydraulic pressure accumulation tank |
| 21. Payload jettison lever (emergency) | 61. Payload hydraulic lift cylinder |
| 22. Seat harness accumulator | 62. Calibration readout cover |
| 23. Side control console | 63. Equalizer blowoff valve assembly |
| 24. Martin/baker EPU-14 non-ejecting seat | 64. Over-pressure manifold |
| 25. Entry ladder | 65. Johnson-Pressurite model 1750 accumulating pump |
| 26. Storage locker | 66. Line feed equalizer |
| 27. Main electrical junction | 67. Hydraulic high-pressure line |
| 28. Lift ring (cabin unit) | 68. Payload bed mainframe |
| 29. Cabin unit traversing motor | 69. Johnson-Pressurite model 1200 high-pressure pump |
| 30. Traversing gear mechanism | 70. Impulse valve |
| 31. Survival gear storage locker | 71. Equalizer line feed |
| 32. Stabilization buffer activation handle | 72. Line connector |
| 33. Maintenance access hatch | 73. Landing gear pads |
| 34. Fuel transfer routing | 74. Landing gear unit mounting brackets |
| 35. General Fusion APQ7-1A multifuel fusion reactor | 75. Landing gear yoke assembly |
| 36. Secondary load-sharing unit | 76. Landing gear strut (extending) |
| 37. Engine mount | 77. Shock absorber unit |
| 38. Main instrument panel | 78. Landing gear traversing gear |
| 39. Mechanical coupling assembly | 79. Landing gear rotation governor housing |
| 40. Load-sharing unit routing pump | 80. Shock absorber pressure governor |

TOP CUTAWAY VIEW

- | | |
|-------------------------------------|---|
| 1. Lift enhancement unit ducting | 9. Control yoke |
| 2. Lift enhancement unit housing | 10. Engine traversing main drive unit |
| 3. Control hinge points | 11. Engine traversing drive governor |
| 4. Navigation light assembly (fore) | 12. Elivon assembly |
| 5. Navigation light assembly (aft) | 13. Lift enhancement unit accumulator |
| 6. Wing fold hinges | 14. Transfer plumbing |
| 7. Wing fold drive unit | 15. Lift enhancement generator assembly housing |
| 8. Lift enhancement cooling unit | |

